

# T/RH Probe (ammonia resistant)

Measures temperature and relative humidity through a sensor probe connected to the transmitter body via a cable. Probe construction offers increased protection from ammonia-rich atmosphere often present in livestock and poultry housing. This device, belonging to the PRO sensor series, includes Aranet Sub-GHz ISM band radio which wirelessly transmits sensor measurements to the Aranet PRO base station.



## Product numbers

Product number	Radio band	To be used in
TDSPT409	EU868	European Union
TDSPT4U9	US920	United States of America, Canada, South America, Australia, New Zealand
TDSPT4U9	AS923	BRN, KHM, HKG, IDN, LAO, TWN, THA, VNM, MYS, SGP
Not available	JP923	Japan
Not available	KR923	South Korea

## Sensor performance

### General notes

- 95 % of the sensors perform within the specified accuracy limits at the time of purchase, assuming they are in an equilibrium state. For evaluation of the total measurement error, long-term drift has to be taken into account.

### Temperature

Range	-40–85 °C	-40–185 °F
Resolution	0.1 °C	0.1 °F
Accuracy	±0.3 °C	±0.5 °F
Long-term drift	0.05 °C/year	0.09 °F/year

- Provided accuracy is relevant for the temperature measurement range 0–60 °C (32–140 °F).

## Relative Humidity

Range	0–100 %
Resolution	0.1 %
Accuracy	±3 %
Long-term drift	0.5 %/year

- Provided accuracy is relevant for the relative humidity measurement range 0–80 % at 23 °C (73 °F).
- Long-term drift value is provided at laboratory conditions: 23 °C (73 °F) and 30–70 % relative humidity. In significantly different conditions, higher long-term drift might occur.
- Long-term exposure to high humidity conditions (>80 %, especially condensing atmosphere) might temporarily increase the relative humidity reading above the actual value. To rectify this, it's advisable to dry the probe in an environment with low relative humidity.

## Measurement probe specifications

Probe material	Polytetrafluoroethylene (PTFE)	
Cable insulation material	Silicone	
Probe dimensions	∅10×80 mm	∅0.39×3.15 in
Cable length	0.35 m	1.1 ft

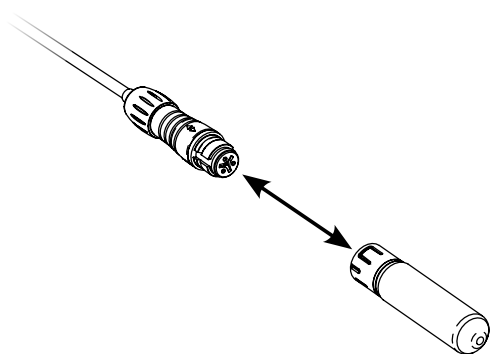
## General specifications

Ingress protection rating	IP67	
Maximum operating temperature	-40–60 °C	-40–140 °F
Dimensions	∅35×120 mm	∅1.4×4.7 in
Weight (incl. battery)	100 g	3.5 oz
Enclosure material	ASA plastic	
Power supply	1 pc AA battery	
Packaging includes	1 pc AA alkaline battery, polyester string for hanging the device	

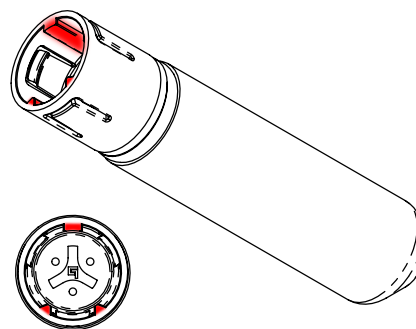
## Accessories and replacement parts

Product number	Description
TDACT009.010	Aranet T/RH probe extension cord (1 m / 3.3 ft)
TDACT009.020	Aranet T/RH probe extension cord (2 m / 6.6 ft)
TDACT009.050	Aranet T/RH probe extension cord (5 m / 16.4 ft)
TDACT009.100	Aranet T/RH probe extension cord (10 m / 33 ft)
TDSPT309.001	Aranet T/RH replacement probe
TDSPT409.001	Aranet T/RH replacement probe (ammonia resistant)

- The total length of extension cables should not exceed 10 m (33 ft). Exceeding this limit may result in unstable and inaccurate probe measurements.
- If you choose to swap the type of probe used with the sensor (e.g., replacing a regular “T/RH probe” with a “T/RH ammonia-resistant” probe or vice versa), please note that the sensor must be re-paired with the base station after the change. If the probe type remains the same, the sensor will continue to operate normally without requiring any additional steps.



**Probe removal or installation:** To remove or install the probe, use a straight push or pull motion. Do not twist or rotate.



**Reinstalling the probe:** Before installation, ensure that the highlighted indentations between the probe and socket are aligned.

## Battery lifetime

Measurement interval	Alkaline battery lifetime	Lithium battery lifetime
1 min	1.3 years	1.7 years
2 min	2.3 years	3.0 years
5 min	4.8 years	6.8 years
10 min	8.2 years	>10 years

- Battery lifetime data has been obtained by mathematical extrapolation and is provided for descriptive purposes only and is not intended to make or imply any guarantee or warranty.
- Battery lifetime tests and calculations performed assuming device is at 20 °C (68 °F) and using *Fujitsu Premium LR6G07* (alkaline) and *Energizer Ultimate Lithium L91* (lithium) AA batteries as reference.
- The operating temperature range may vary based on the battery type used. Generally, the range for alkaline batteries is between -20–50 °C (-4–122 °F), whereas for lithium batteries, it is -40–60 °C (-40–140 °F).

## Aranet radio parameters

Line of sight range	3 km	1.9 mi
Transmitter power	14 dBm	25 mW
Data transmission interval	1, 2, 5 or 10 min	
Data protection	XXTEA encryption	

## Aranet radio bands and channels

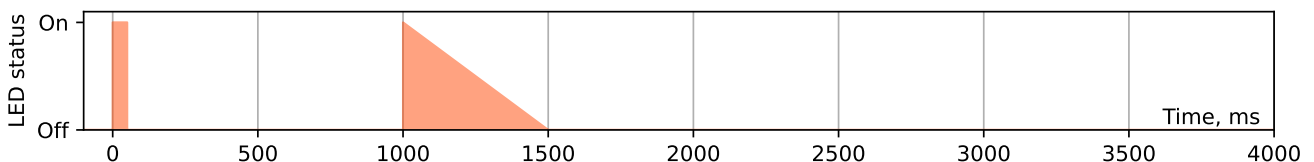
Radio band	Channel 1	Channel 2	Channel 3	Channel 4
EU868	868.1 MHz	868.3 MHz	868.5 MHz	—
US920	917.3 and 922.9 MHz	917.5 and 923.1 MHz	917.7 and 923.3 MHz	917.9 and 923.5 MHz
AS923	923.1 MHz	923.3 MHz	—	—
JP923	923.0 MHz	923.4 MHz	—	—
KR923	923.1 MHz	923.3 MHz	—	—

- This table outlines the radio channels utilized by Aranet Sub-GHz radio technology for transmitting sensor data to the base station, complying with the legislation in various regions. To determine availability of this product in your region and the corresponding channels used, refer to the *Product numbers* table at the beginning of this document.

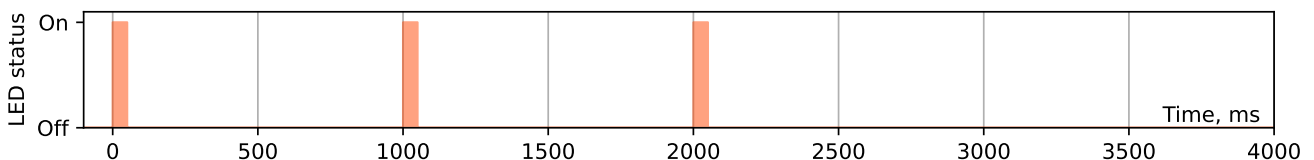
## Pairing process description

As part of the Aranet PRO product series, this device enables wireless sensor reading transmission to the Aranet PRO and PRO Plus base station. Here's how to pair the sensor with the base station:

- Place the sensor within 20 m (60 ft) of the base station during pairing. Once paired, it can communicate over a much greater distance (up to 3 km / 1.9 mi line of sight).
- If the sensor uses a power supply unit, unplug it. Open the sensor casing and remove the battery for at least 20 seconds. Alternatively (for newer hardware revisions), locate the PAIRING button on the sensor PCB which can be used to initiate pairing without the removal of battery.
- Access the SENSORS menu in the base station Web GUI. Set the measurement interval and select PAIR SENSOR to start the pairing process.
- Within a 2-minute window, insert the battery or press the PAIRING button on the sensor PCB (for newer hardware revisions) to initiate pairing.
- A successful pairing is indicated by the sensor appearing in the Web GUI and a specific LED blink sequence on the sensor PCB (one to three short blinks followed by a longer fade-out blink of the LED):



- If pairing fails, the sensor won't appear in the Web GUI, and the LED blink sequence will consist only of three short blinks. In this case, repeat the procedure closer to the base station.



- After successful pairing, customize parameters like name and tags in the Web GUI. Close the sensor casing and install it in the desired location.

## Compliance information

---

- CE** Conformité Européenne
  - FC** Federal Communications Commission (USA)
  - IC** Innovation, Science and Economic Development Canada
-